



Pennsylvania

HZLATM
HORIZONTAL LINEAR AXIS TRACKERS

More power for less money.

Meet the tough little brother of Array Technologies' DuraTrackTM utility solar tracker—the Horizontal Linear Axis tracker (HZLA). This durable and low-cost tracker offers quick installation and low maintenance for cost-effective commercial and residential projects.

SMART DESIGN

Array Technologies' engineers designed the HZLA with simplicity in mind, to enable fast assembly and minimize maintenance. The HZLA's low profile provides an unobstructed view of the visual landscape while reducing wind forces.

UTILITY-LIKE DURABILITY

Many components making up our flagship DuraTrack are used in the HZLA. Bearings have been tested for 30-year reliability, and HZLA actuators have been field-tested for the last 20 years on many of our highly regarded WattsunTM tracking systems.

EASY ASSEMBLY

HZLA's low profile saves installers time because they don't have to climb up and down ladders. And, our proprietary module clamps make assembly quick and easy.

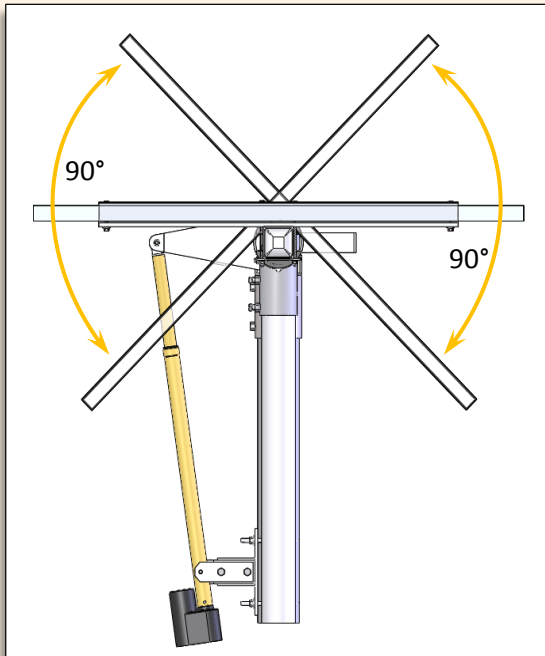
MEGA POWER IN LESS AREA

The HZLA is oriented from north-to-south and tracks 45° to 45° from east-to-west, to capture sunlight from dawn to dusk. Offering the best ground coverage, the HZLA's design reduces shading when adding additional trackers to increase system size. Racking up to 4 kW per tracker, the HZLA produces up to 25% more power than a fixed rack.



Array Technologies, Inc.

- A** 3901 Midway Place NE
Albuquerque, NM 87109 USA
- T** 505.881.7567
- T** 855.TRACKPV (872.2578)
- F** 505.881.7572
- E** commercialsales@arraytechinc.com
- E** residentialsales@arraytechinc.com
- W** www.arraytechinc.com



The HZLA tracks from 45° to 45° and can produce up to 4kW per tracker.

Talk with your local Wattsun dealer for help determining your system requirements. Based on your energy appetite and property specifications, they can help you design a system to fit your space and meet your energy needs.

STRUCTURAL & MECHANICAL FEATURES/SPECIFICATIONS

Tracking Type	Horizontal Single Axis
Drive Type	Actuator
Motor Type	1/15 HP, 24 VDC Nominal
East-West/North-South	
Dimensions	Site/module specific
Array Height	6 feet
Recommended Ground Cover Ratio (GCR)	33% standard, flexible
Tracking Range of Motion	90°
Modules Supported	Most commercially available
Module Configuration	Single module in portrait/module specific
Module Attachment	DuraTrack™ high-speed mounting clamps
Materials	HDG, high-strength steel & anodized aluminum
Allowable Wind Load	Tailored to site requirements; up to IBC 90 MPH, 3-second gust exposure C

ELECTRONIC CONTROLLER FEATURES/SPECIFICATIONS

Solar Tracking Method	Closed Loop Optical
Control Electronics	Proprietary
Tracking Accuracy	+ or - 2° standard, field adjustable

INSTALLATION, OPERATION & MAINTENANCE

Welding Required	No
In-field Fabrication Required	No
Dry-Slide Bearings	No lube required
Actuator	Grease every 1 year

GENERAL

Energy Gain vs. Fixed-Tilt	Up to 25%, site specific
Warranty	2 years parts only, 5 year extended available
Made in the USA	Yes



ABOUT ARRAY TECHNOLOGIES, INC.

Array Technologies, Inc. is the leading manufacturer of cost-effective, reliable and robust solar tracking and racking systems for utility scale, commercial and residential customers. Headquartered in Albuquerque, NM for over twenty years, Array provides its customers with unequalled solar tracking and racking expertise. Array's mounting systems are manufactured in the USA and shipped worldwide.