

## ● Seasonal Adjustable Rack™ FIXED MOUNTING SYSTEM



Most power from a “fixed” ground mount system.

It's not a tracker.

It's not a fixed rack.

Array Technologies' Seasonal Adjustable Rack is a low-cost alternative to a tracker or fixed rack that gives you the ability to quickly and easily optimize your array's tilt to compensate for the sun's seasonal changes.

### SMART DESIGN

The Seasonal Adjustable Rack is purposely designed with a low profile to minimize wind forces as well as reduce the impact on your visual plane. Whether in your backyard, or in the back forty, this system will attractively optimize your PV output.

### UTILITY-LIKE DURABILITY

This rack looks a lot like our utility-scale trackers. That's because they share many of the same parts. And, we build the Seasonal Rack just like our utility DuraTrack™—to last a very, very long time.

### EASILY ADJUSTABLE

The Seasonal Rack incorporates a rotating bearing to enable easy, rapid adjustment of the tilt angle from flat to 60°. It takes one person using one cordless drill about one minute to adjust. It's a piece of cake.

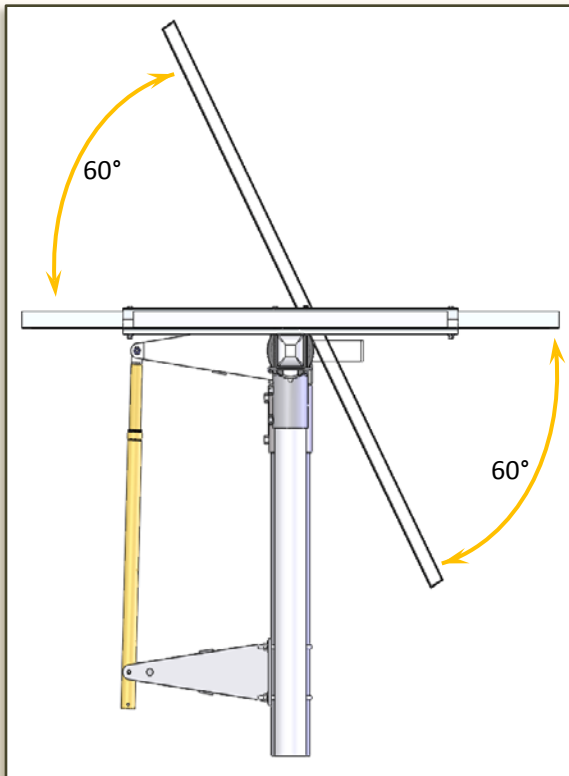
### THE RIGHT SIZE

Each Seasonal Rack holds up to 4kW over its 50 foot length (typical size). If you're looking for more power, multiple racks easily combine into one dynamic system.



### Array Technologies, Inc.

- A 3901 Midway Place NE  
Albuquerque, NM 87109 USA
- T 505.881.7567
- T 855.TRACKPV (872.2578)
- F 505.881.7572
- E [commercialsales@arraytechinc.com](mailto:commercialsales@arraytechinc.com)
- E [residentialsales@arraytechinc.com](mailto:residentialsales@arraytechinc.com)
- W [www.arraytechinc.com](http://www.arraytechinc.com)



The Seasonal Adjustable Rack is adjustable from flat to 60° and can produce up to 4kW.

**STRUCTURAL & MECHANICAL FEATURES/SPECIFICATIONS**

Follows terrain contour	Yes
Elevation tilt angle, range of motion	Flat to 60°
Module configuration	Single module in portrait ( ground coverage ratio remains the same whether landscape or portrait)
Amount of foundation material	Minimum, due to low profile
Foundation types	Accommodates a variety of foundations
Amount of column length required	Minimum, due to low profile
Adjustment mechanism	Ball-screw (rotating bearing)
Materials	High-strength galvanized steel & anodized aluminum
Maximum wind speed capability	Up to 90mph

**INSTALLATION AND MAINTENANCE**

Pre-assembled module clamps	Certified by most commercially available module manufacturers
Modules supported	Most commercially available
Ease of install, module mounting technique	All work at chest height & below
Module cleaning	Chest height
Snow shedding	Snow slides off easily

**GENERAL**

Energy gain vs. fixed-tilt	Dependent on adjustment frequency
Warranty	2 year parts only, 5 year extended available
Made in the USA	Yes

Talk with your local Wattsun dealer for help determining your system requirements. Based on your energy appetite and property specifications, they will help you design a system to fit your space and meet your energy needs.



**ABOUT ARRAY TECHNOLOGIES, INC.**

Array Technologies, Inc. is the leading manufacturer of cost-effective, reliable and robust solar tracking and racking systems for utility scale, commercial and residential customers.

Headquartered in Albuquerque, NM for over twenty years, Array provides its customers with unequalled solar tracking and racking expertise. Array's mounting systems are manufactured in the USA and shipped worldwide.